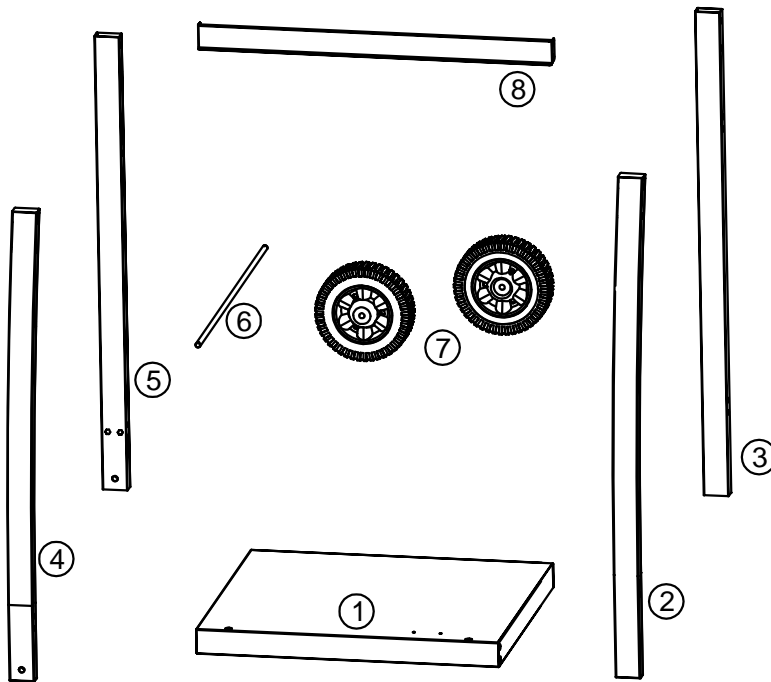
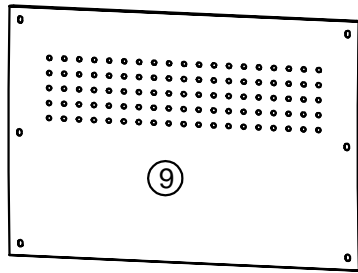
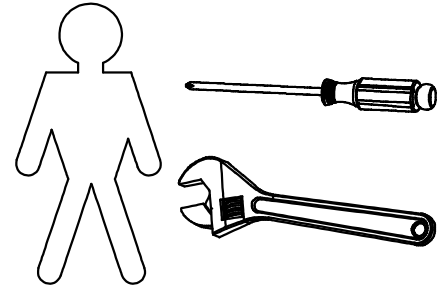
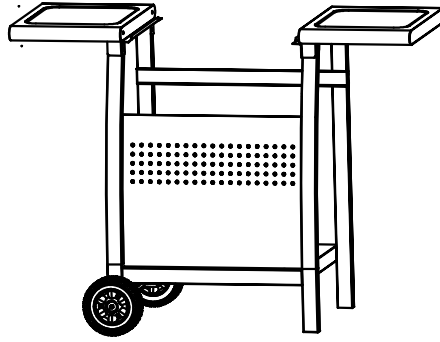
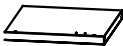

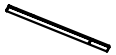




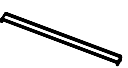









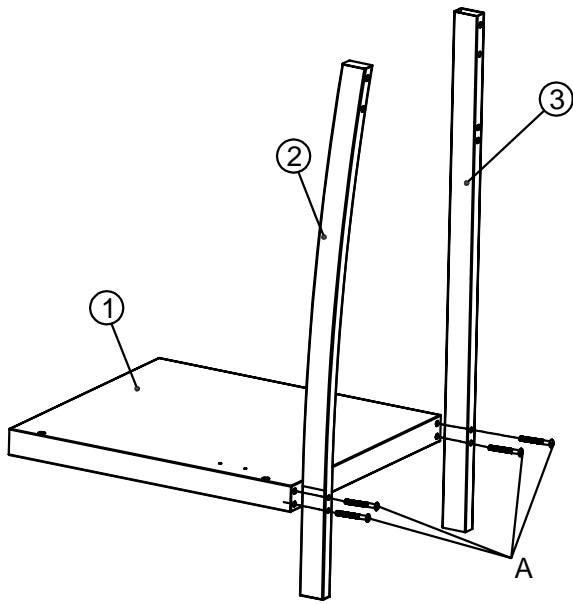
# CHABQ551 1103A Trolley

3 RXUXQP RQMUH SØV  
 IDFLØI HWDSLGH SRMVRQCHU  
 VRXVM VO HYL VDOV VHUHU  
 FRP SQWP HQVSLV YLVHU  
 QPILQMYHP HQVXGH IRLV TXH  
 VRXVM ØV YLV VRQVHQ SØFH  
 HMTXH ØUUFØI HMVGRLV



① *1 	② *1(RF) 	③ *1(RB) 
④ *1(LF) 	⑤ *1(LB) 	⑥ *1 
⑦ *2 	⑧ *1 	⑨ *1 
⑩ *2 	/	
AM5-50*18  D*2 	BM5-10*6  E*2 	CM5*10 

1

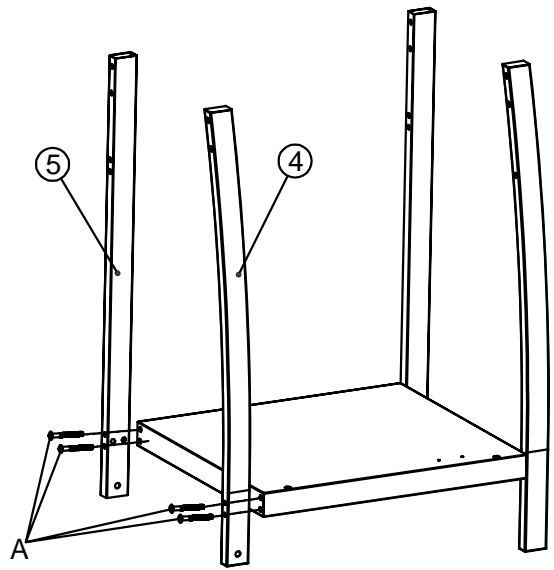


A



4PCS

2

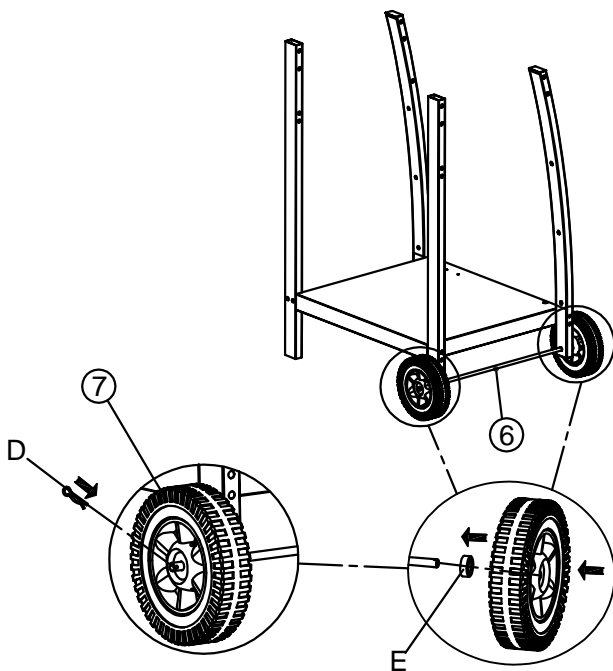


A



4PCS

3



D



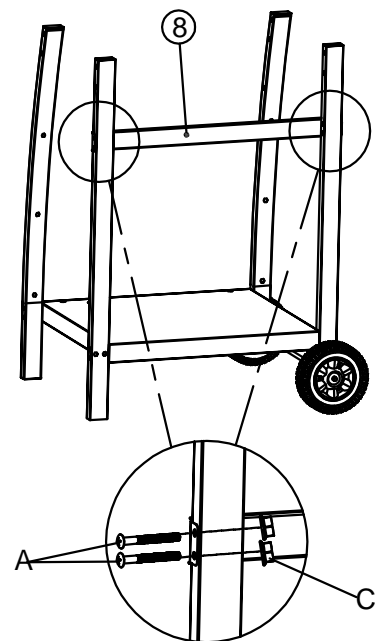
2PCS

E



2PCS

4



A



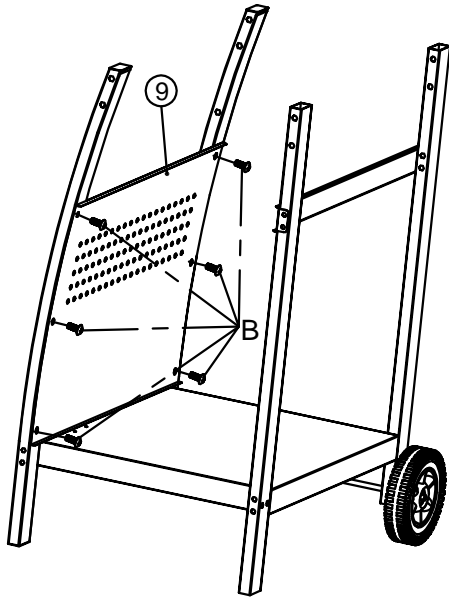
4PCS


C



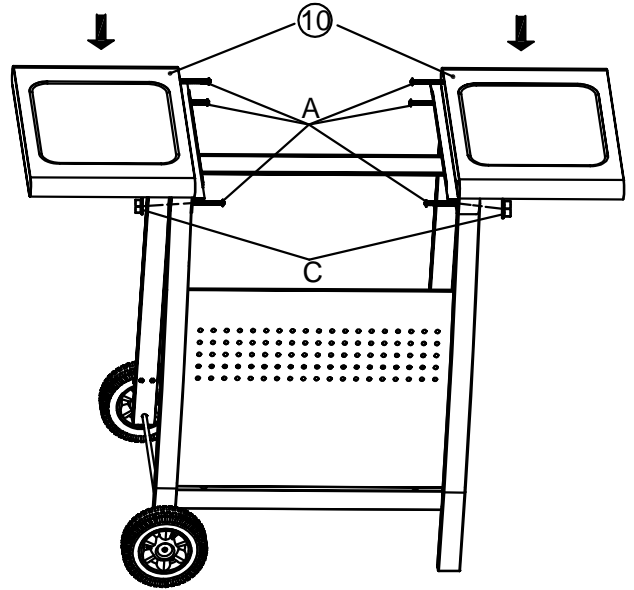
4PCS



5



B		6PCS
---	-------------------------------------------------------------------------------------	------

6



A		6PCS
C		6PCS