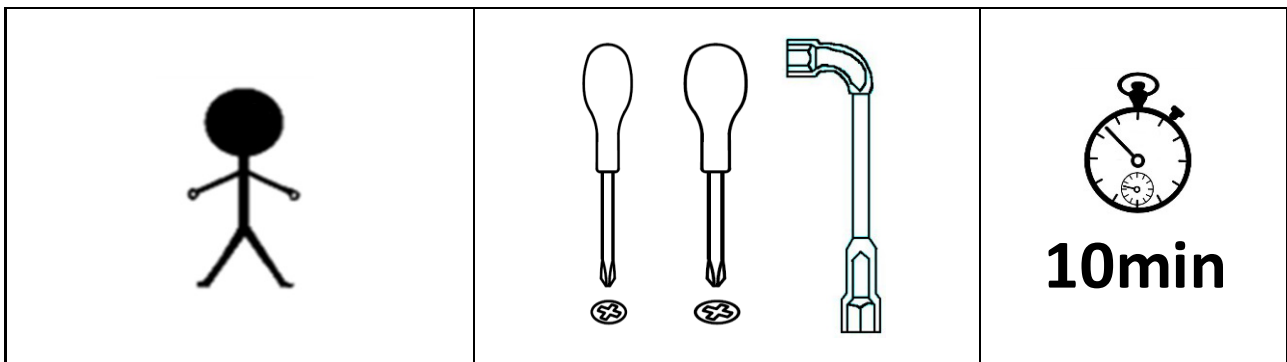
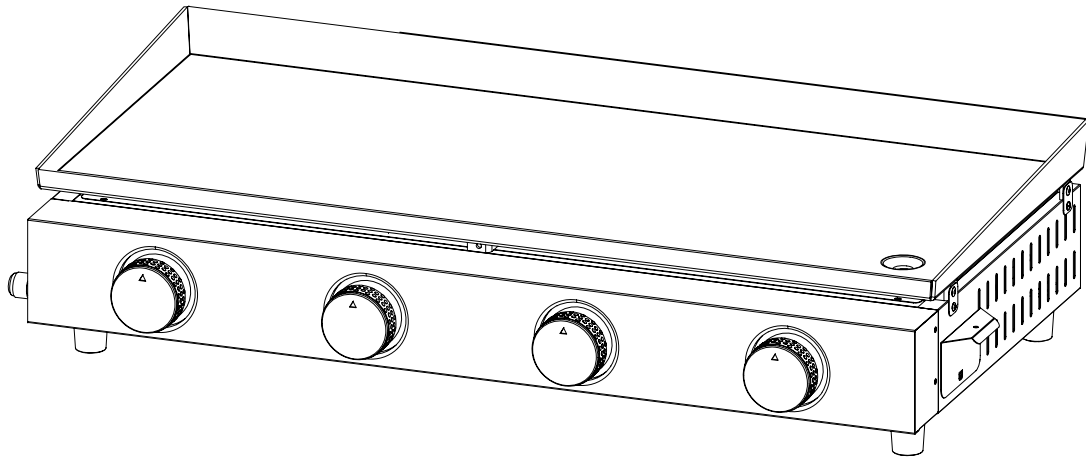
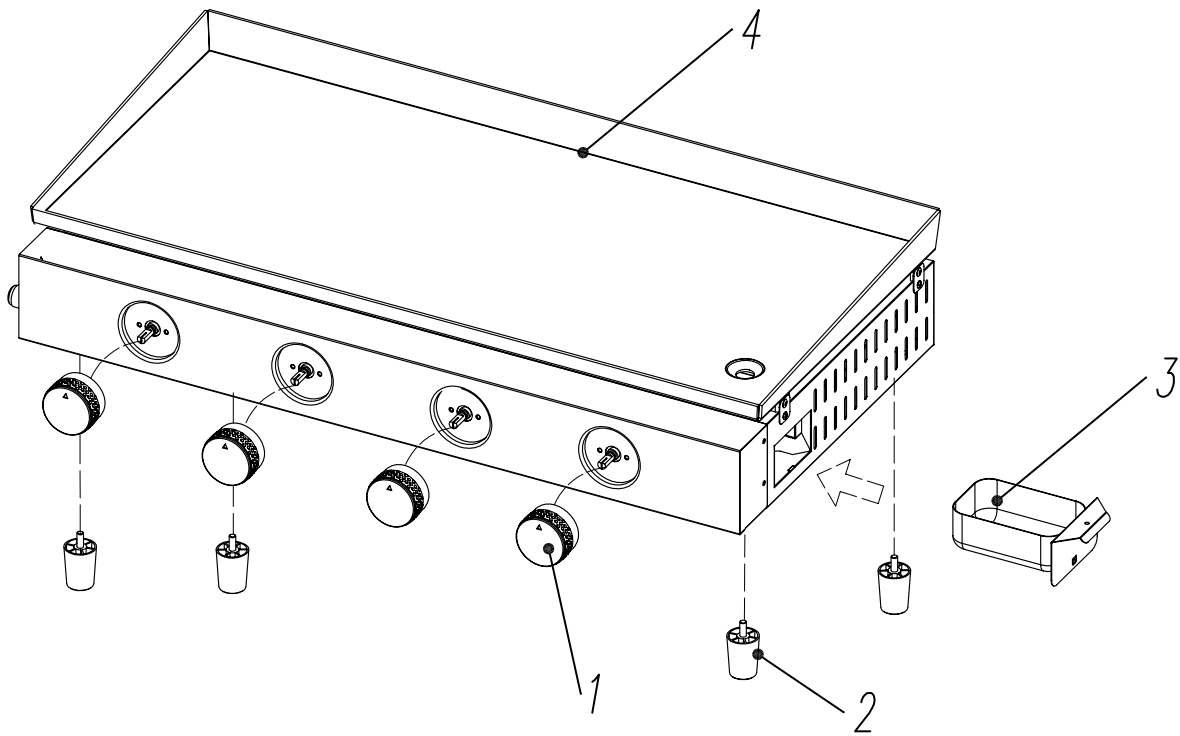




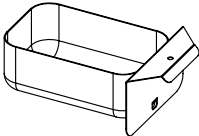
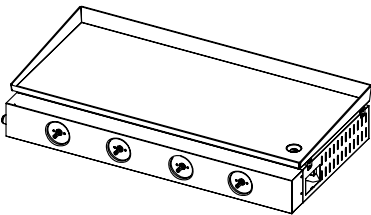
MERIDA



MERIDA

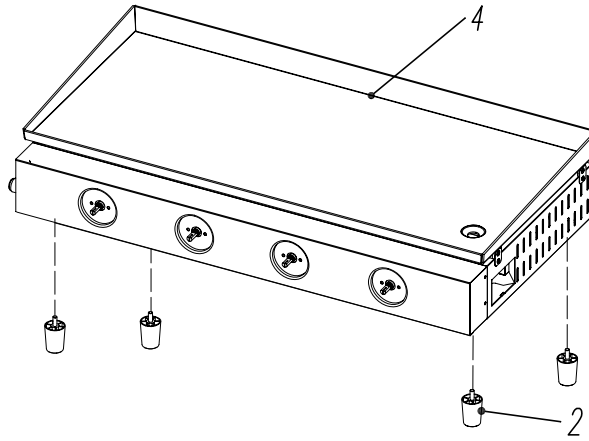


MERIDA

NO.	DESCRIPTION	QTY
1		4
2		4
3		1
4		1

MERIDA

1



2

