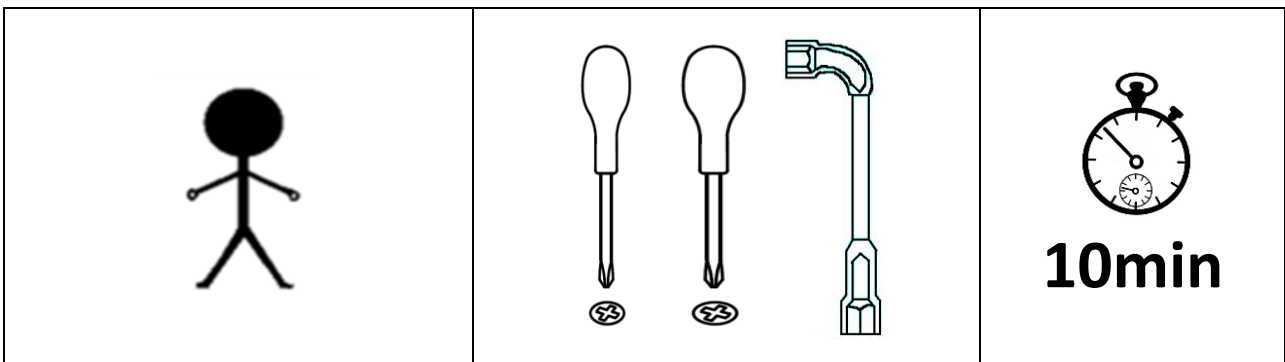
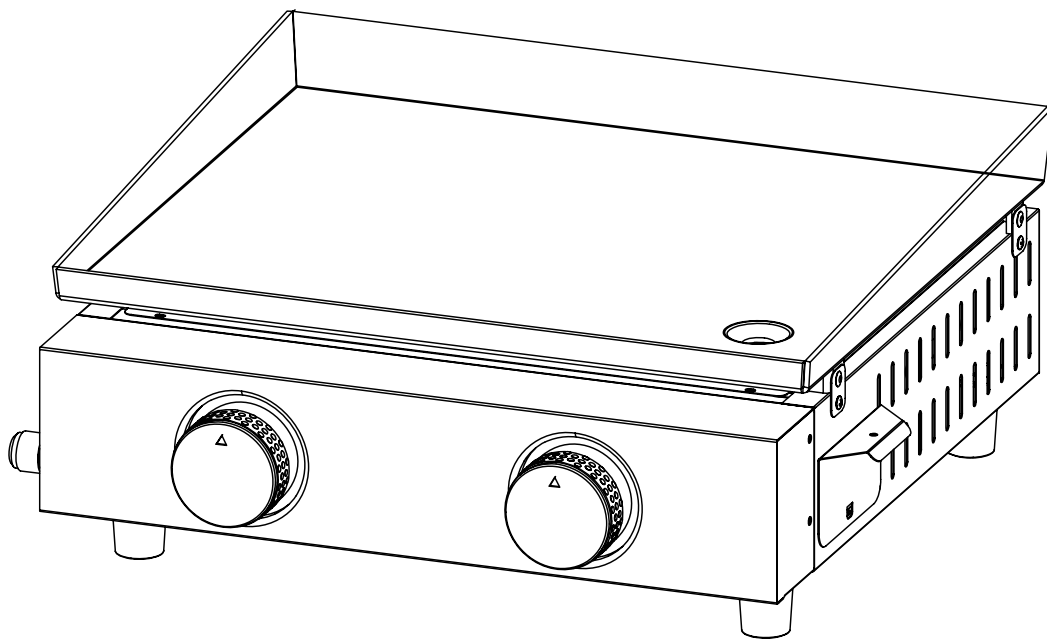
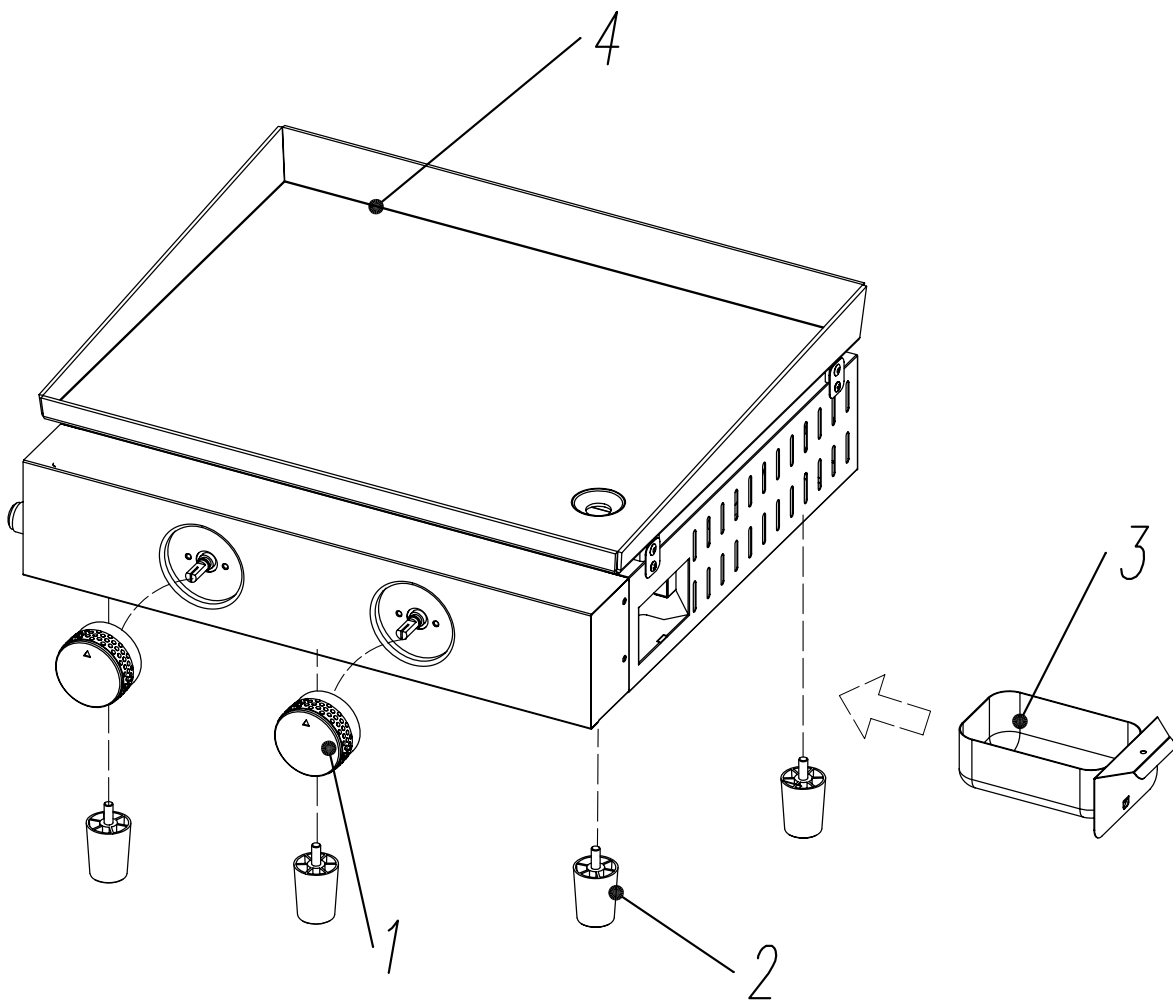




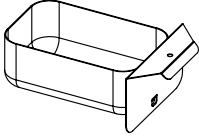
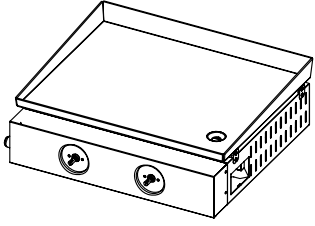
MERIDA



MERIDA

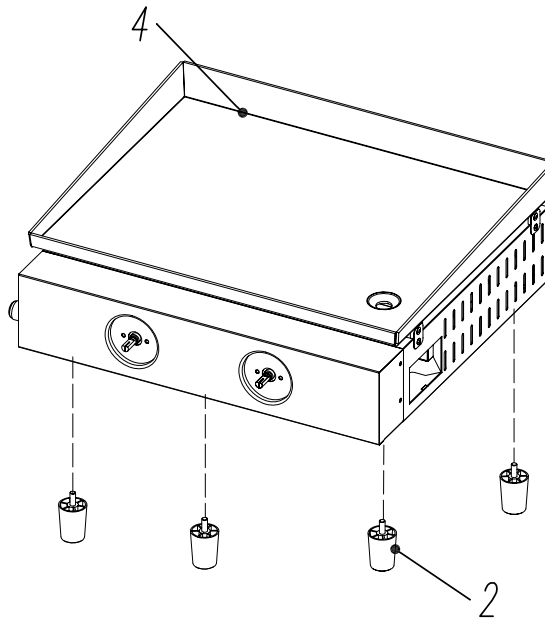


MERIDA

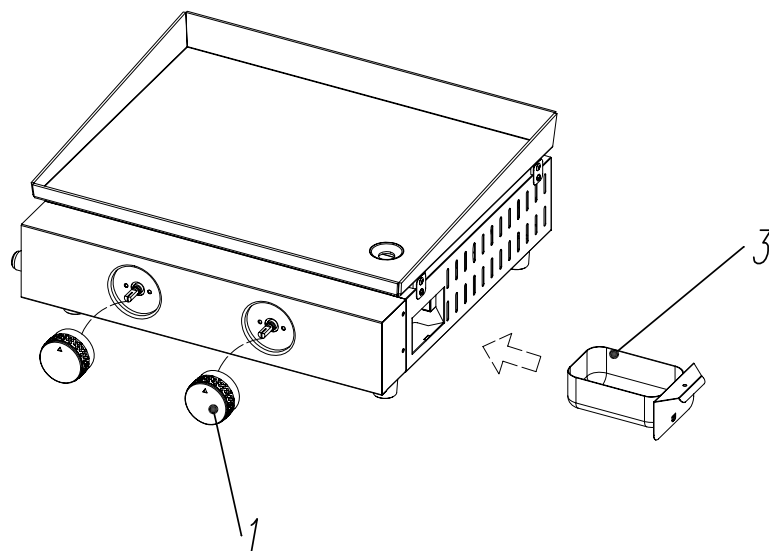
NO.	DESCRIPTION	QTY
1		2
2		4
3		1
4		1

MERIDA

1



2



3

